

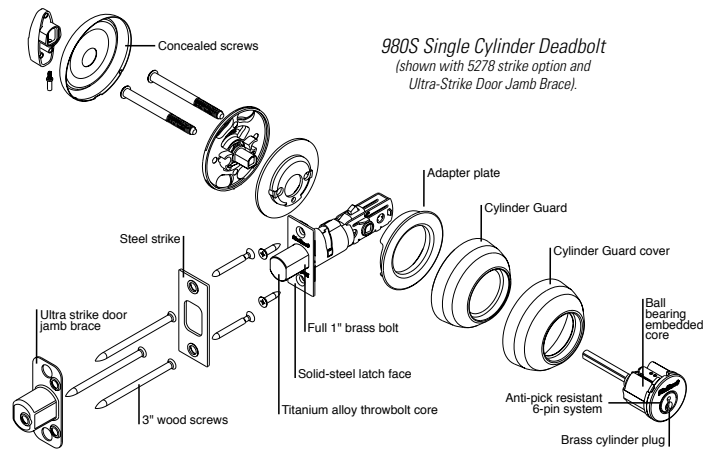
DEADBOLTS

Specifications



980S-985S DEADBOLT

Door Prep	980S, 985S: Crossbore 2-1/8" or 1-1/2". Edge Bore 1". Latch Face 1" x 2-1/4". 982S, 984S: Crossbore 2-1/8". Edge Bore 1". Latch Face 1" x 2-1/4".
Backset	Adjustable to 2-3/8" or 2-3/4" standard.
Door Thickness	1-3/4" standard.
Cylinder	6-pin. Includes 3 anti-pick top pins.
Faceplate	1" x 2-1/4". Specify round corner, square corner or drive-in.
Strikes	1 x 3-5/8" Specify round corner or square corner. Other options available.
Bolt	Brass bolt, full 1" throw. Titanium alloy throwbolt core.
Door Handing	Reversible for right- or left-hand doors.
ANSI/BHMA	A156.5 Grade 1.
ADA	Interior turn piece meets 4.13.9 ADA requirements.
UL	Meets 3 hour fire rating for all UL functions.



980S Single Cylinder Deadbolt
(shown with 5278 strike option and Ultra-Strike Door Jamb Brace).

FUNCTIONS



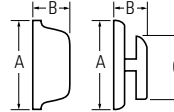
Single Cylinder: Deadbolt operated by key outside and thumbturn inside. UL listing standard on 982. — **980S, 982S** E0151



Double Cylinder: Deadbolt operated by key both sides. UL listing standard on 984. — **984S, 985S** E0141

Note: ANSI/BHMA functions are listed in italics.

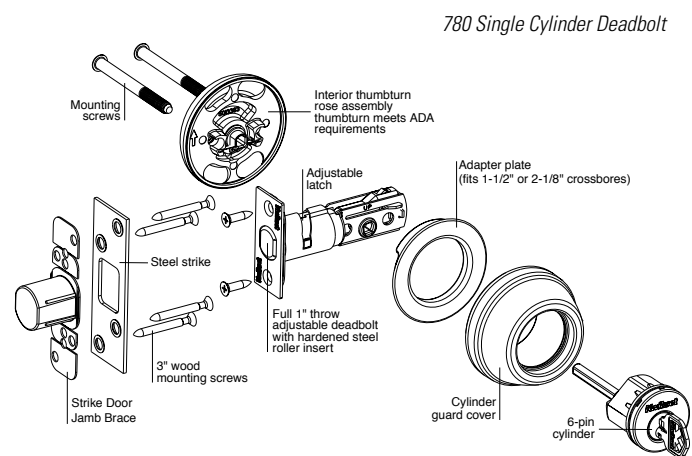
DIMENSIONS



Design	A	B	C
980S Interior	2-9/16"	1-5/32"	1-13/16"
980S Exterior	2-5/8"	1-1/16"	
985S Interior	2-5/8"	1-1/16"	
985S Exterior	2-5/8"	1-1/16"	

780-785 DEADBOLT

Door Prep	780, 785: Crossbore 2-1/8" or 1-1/2". Edge Bore 1". Latch Face 1" x 2-1/4". 782, 784: Crossbore 2-1/8". Edge Bore 1". Latch Face 1" x 2-1/4".
Backset	Adjustable to 2-3/8" or 2-3/4" standard.
Door Thickness	1-3/8" – 1-3/4" standard. 1-7/8" – 2-1/4" optional.
Cylinder	6-pin removable core. 5-pin optional.
Faceplate	1" x 2-1/4". Specify round corner, square corner, or drive-in.
Strikes	1-1/4" x 3-5/8". Specify round corner or square corner. Other options available.
Bolt	1" throw. Stainless steel.
Door Handing	Reversible for right- or left-hand doors.
ANSI/BHMA	A156.5 Grade 2.
ADA	Interior turn piece meets 4.13.9 ADA requirements.
UL	Meets 3 hour fire rating for all UL functions.



780 Single Cylinder Deadbolt

FUNCTIONS



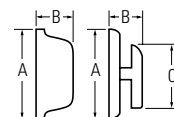
Single Cylinder: Deadbolt operated by key outside and thumbturn inside. UL listing standard on 782. — **780, 782** E0152



Double Cylinder: Deadbolt operated by key both sides. UL listing standard on 784. — **784-785** E0142

Note: ANSI/BHMA functions are listed in italics.

DIMENSIONS



Design	A	B	C
780, 782 Interior	2-5/8"	1-1/16"	1-15/16"
780, 782 Exterior	2-5/8"	1-5/32"	
784, 785 Interior	2-5/8"	1-5/32"	
784, 785 Exterior	2-5/8"	1-5/32"	