

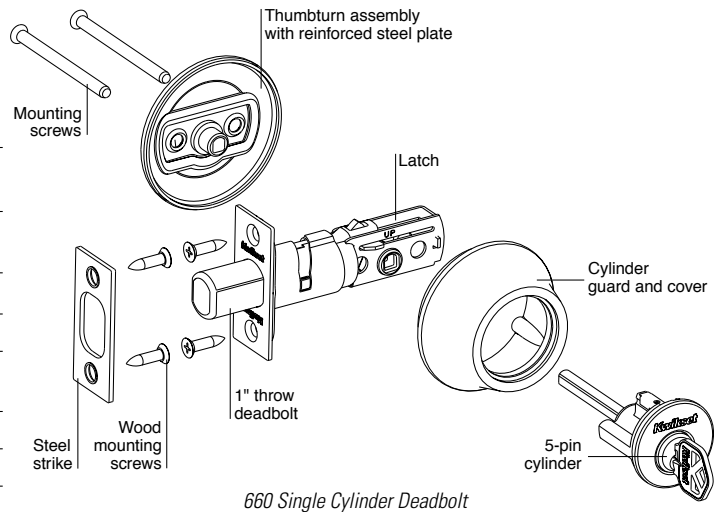
DEADBOLTS

Specifications



DEADBOLT

Door Prep	660, 665: Crossbore 2-1/8". Edge Bore 1". Latch Face 1" x 2-1/4". 663: Crossbore 1-5/8". Edge Bore 1". Latch Face 1" x 2-1/4". 667: Crossbore 2-1/8" or 1-1/2". Edge Bore 1". Latch Face 1" x 2-1/4".
Backset	660, 665, 667: Adjustable latch standard. 663: 2-3/8" standard. 2-3/4" optional.
Door Thickness	660, 663, 665, 667: 1-3/8" – 1-3/4" doors standard.
Cylinder	660, 665: 5-pin.
Faceplates	1" x 2-1/4". Specify round corner, square corner or drive-in.
Strikes	1" x 2-1/4" full. Specify round corner or square corner. Other options available.
Bolt	1" throw.
Door Handing	Reversible for right- or left-hand doors.
ANSI/BHMA	660, 663, 665, 667: A156.5 Grade 3.
ADA	Interior turn piece meets 4.13.9 ADA requirements.
UL	Meets 3 hour fire rating for all UL functions.

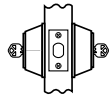


660 Single Cylinder Deadbolt

FUNCTIONS



Single Cylinder: Deadbolt operated by key outside and thumbturn inside.
– 660 E0153



Double Cylinder: Deadbolt operated by key both sides.
– 665 E0143



Thumbturn Only: Deadbolt operated by thumbturn one side. No trim on other side.
– 663 E0193

Conversion Kit: Converts 663 to 667 when door is bored through.
– 664



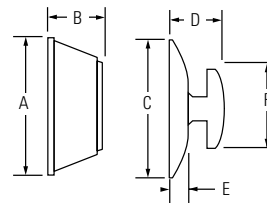
Thumbturn x Plate: Deadbolt operated by thumbturn on interior. Blank plate on exterior.
– 667 E01113



Thumbturn x Plate: Deadbolt operated by thumbturn on interior. Blank plate on exterior. UL Listed.
– 677 E01113

Note: ANSI/BHMA functions are listed in italics.

DIMENSIONS



Design	A	B	C	D	E	F
660	2-1/2"	1-1/8"	2-1/2"	1"	3/8"	1-3/4"
663			2-1/2"	1"	3/8"	1-3/4"
665	2-1/2"	1-1/8"	2-1/2"	1-1/8"		
667	2-1/2"	3/8"	2-1/2"	1"	3/8"	1-3/4"
677	2-1/2"	3/8"	2-1/2"	1"	3/8"	1-3/4"

OPTIONS

Description	See Page	Note
Split Finishes		Price is higher of two finishes.
Keying	58	Keyed Alike (KA) is standard.
2 1/4" thick door screw pack	60-61	
Faceplates		Included. Specify round corner, square corner or drive-in.
Strikes	51-52	Included. Specify round corner, square corner or drive-in.
Latches	47-50	Adjustable to 2 3/8" or 2 3/4". Specify round corner, square corner or drive-in.
Cylinder core & housing	54-55	