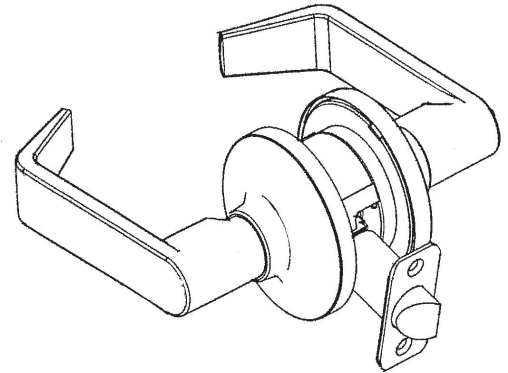


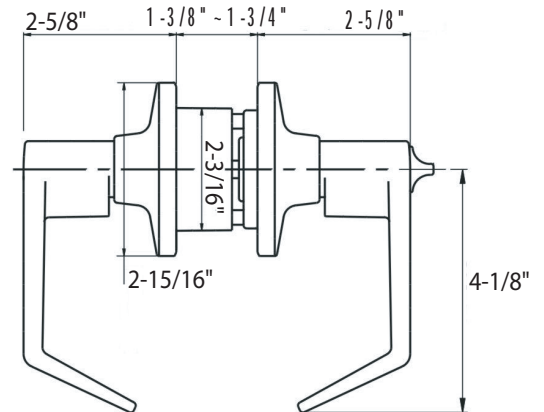
| | |
|---------------|---|
| Category | COMMERCIAL GRADE 2 TUBULAR LEVER SET |
| Model Name | CAMBRIDGE |
| Series Number | FL3B |



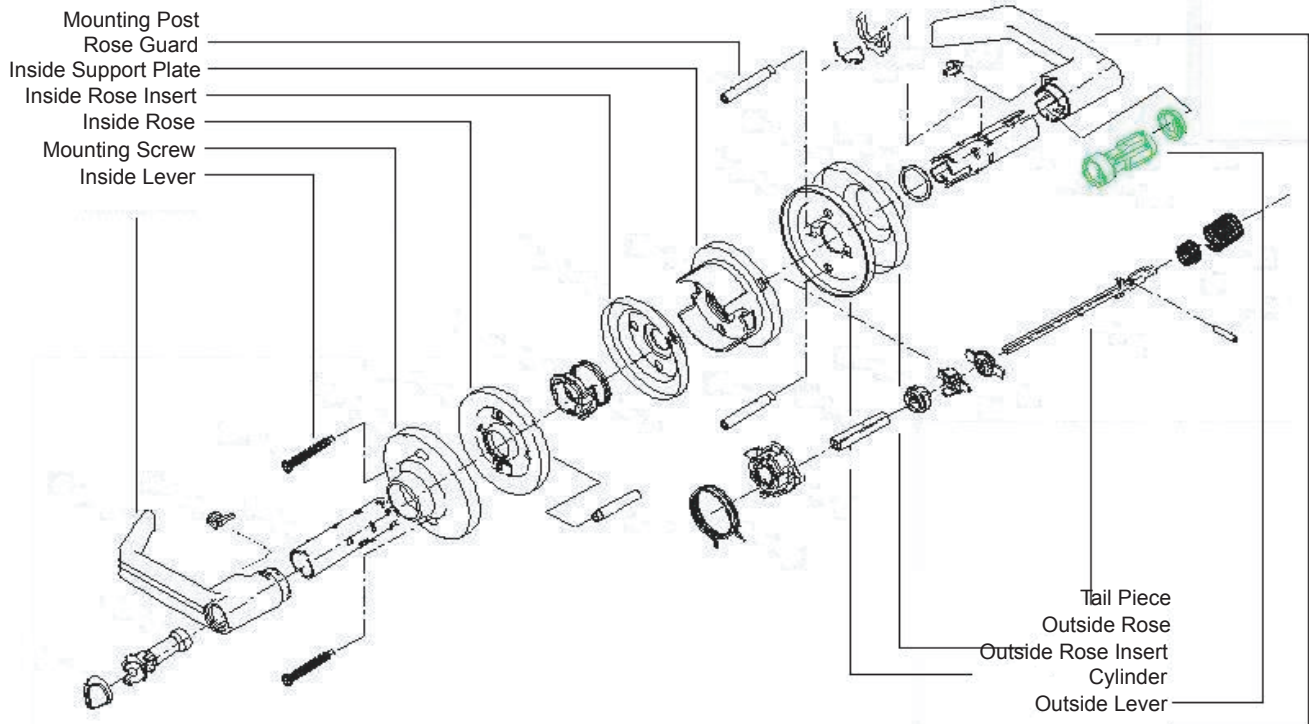
| Specification | |
|----------------------------|---|
| Door Prep. | Cross Bore: 2-1/8", Edge: 1" |
| Latch Backset | Adjustable 3 hour UL fire rated deadlatch/plainlatch standard. Other options available. |
| Door Thickness | 1-3/8" to 1-3/4" standard. |
| Solid Brass Cyinder | 6-pin SC "C" keyway standard. 5-pin Faultless keyway available. |
| Faceplate | 1" x 2-1/4" round corner standard. |
| Strike Plate | 2-1/4" x 1-3/4" full lip, 1/4" radius round corner standard. |
| Handing | Reversible for right or left handed door. |
| Bolt | 1/2" throw for all function cyinder locks. |
| ANS/BHMA | A 156.2 4000 Grade 2. |



| Function | Description |
|----------------------------------|--|
| Entry | Outside lever locked or unlocked by key outside or turnpiece inside. Inside always free. |
| Privacy | Outside lever locked or unlocked by turnpiece inside or by a coin and screwdriver outside. Inside always free. |
| Passage/Hall & Closet | Both levers always free. |
| Half Dummy | Singl dummy trim for pull only. |
| Storeroom | Outside lever always fixed and unlocked by key only. Inside always free. |
| Classroom | Outside lever locked or unlocked by key. Inside always free. |



* Finish Availability - Please Refer to Faultless Price List



PAMEX INC.

4680 Vinita Court, Chino, CA 91710

Tel: (800) 621-6869 (909) 606-4168 Fax: (909) 606-4358

E-mail: faultless@pamexinc.com Website: www.faultlesslock.com